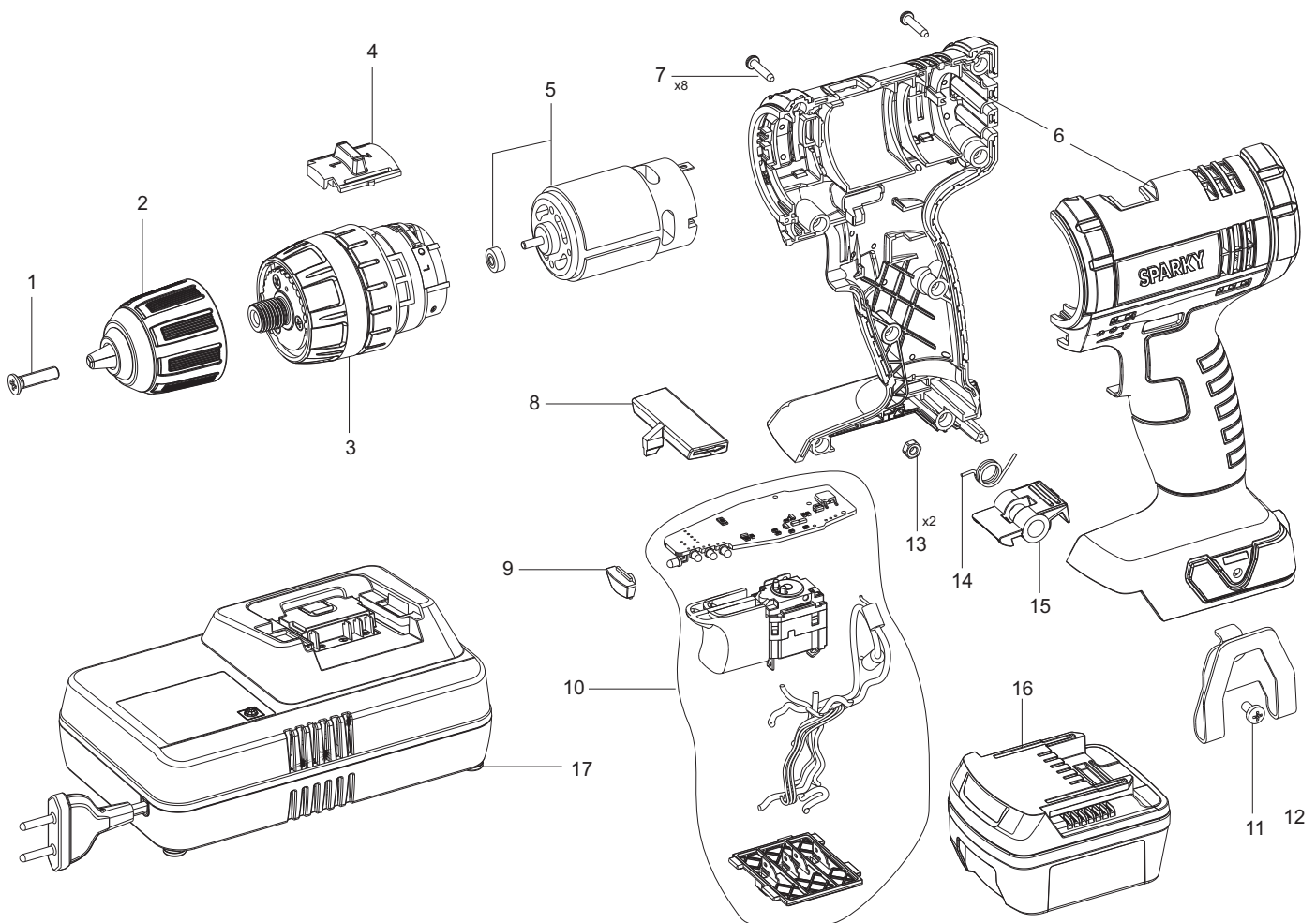


POS. No.	Ref. No.	Description	POS. No.	Ref. No.	Description
----------	----------	-------------	----------	----------	-------------

- 1 361413 Screw M5LHX20-8.8 A3A
- 2 142803 Chuck set
- 3 142736 Reduktor set
- 4 142739 Switch knob
- 5 144034 Motor set / 18V-C HD
- 6 148902 Casing set
- 7 361247 Screw K3x15 TORX 10
- 8 142745 Reve ing Actuator
- 9 142744 Screen
- 10 144035 PCB+switch /18V/SP
- 11 361358 Screw J2-M4x8-8.8
- 12 142681 Bracket
- 13 360149 Nut M4
- 14 142686 Spring
- 15 142685 Lock button
- 16 148368 Battery pack ass'y BL 1840
- 16 148364 Battery pack ass'y BL 1820
- 17 148367 Charger.ass'y/EU (12-18V/1,5-3Ah)Li



149156

149158